

REVISIONS				
ZONE	REV.	DESCRIPTION	DATE	APPROVED
	A	ORIGINAL RELEASE	8/28/95	

DESCRIPTION

AMC MODEL SW-2181-2 IS A REFLECTIVE BROAD-BAND SPDT SWITCH MODULE WITHOUT DRIVER CIRCUITRY, PACKAGED IN A MINIATURE CONNECTORIZED HOUSING.

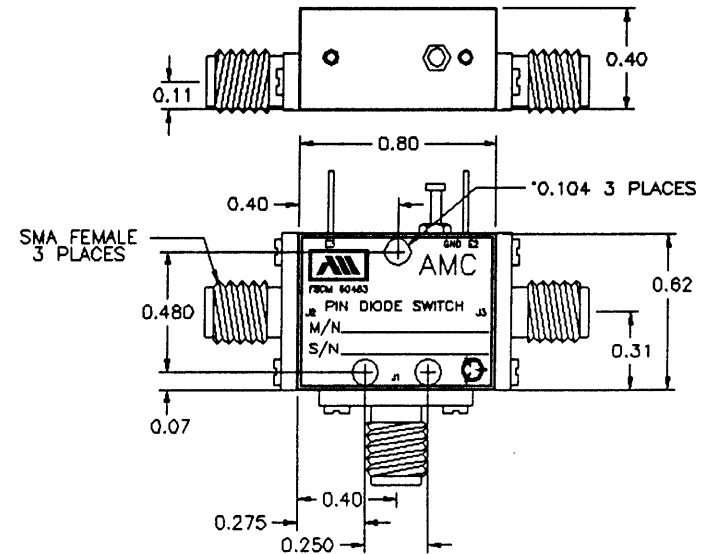
SPECIFICATIONS

- FREQUENCY RANGE 0.3-20 GHz MINIMUM
- INSERTION LOSS 3.0 dB MAXIMUM
- ISOLATION 0.3-18 GHz, 60 dB MINIMUM
18-20 GHz, 55 dB MINIMUM
- VSWR (ON) 2.0:1 MAXIMUM
- RF POWER RATINGS +27 dBm CW MAXIMUM
- SWITCHING TIME
 - RISE (10% RF TO 90% RF) 10 ns MAXIMUM
 - FALL (90% RF TO 10% RF) 10 ns MAXIMUM
 - ON (50% TTL TO 90% RF) 20 ns MAXIMUM
 - OFF (50% TTL TO 10% RF) 20 ns MAXIMUM
- CONTROLS CURRENT CONTROLLED
2 INDEPENDENT CONTROLS
+20 mA = ISOLATION
-20 mA = INSERTION LOSS
(SEE TRUTH TABLE)
- CONNECTORS
 - RF INPUT/OUTPUT SMA (FEMALE)
 - CONTROL SOLDER PIN
- SIZE 0.80" x 0.62" x 0.24"

AVAILABLE OPTIONS

- A04 INPUT/OUTPUT VIDEO FILTER (0.5 dB EXCESS LOSS)
- A05 EXTENDED FREQUENCY RANGE TO 100 MHz
- A06 2 WATTS CW MAXIMUM (2-20 GHz)
- A13 J1 SMA MALE, J2 AND J3 SMA FEMALE
- A14 J1 SMA FEMALE, J2 AND J3 SMA MALE
- A15 REMOVABLE CONNECTORS (DROP IN APPLICATIONS)

MECHANICAL OUTLINE




TRUTH TABLE		
E3	E2	RF PATH
+20mA	-20mA	J1-J2
-20mA	+20mA	J1-J3

- NOTES:
- 1) DIMENSIONS ARE IN INCHES
 - 2) TOLERANCES: X.XX ±0.020
X.XXX ±0.010
 - 3) WEIGHT: APPROX. 1.0 OZ

ENVIRONMENTAL RATINGS

- TEMPERATURE -55°C TO +95°C (OPERATING)
-65°C TO +125°C (STORAGE)
- HUMIDITY MIL-STD-202F, METHOD 103B COND. B
- SHOCK MIL-STD-202F, METHOD 213B COND. B
- VIBRATION MIL-STD-202F, METHOD 204D COND. B
- ALTITUDE MIL-STD-202F, METHOD 105C COND. B
- TEMPERATURE CYCLE MIL-STD-202F, METHOD 107D COND. A

		AMERICAN MICROWAVE CORPORATION 7311G GROVE RD., FREDERICK, MD. 21701 TEL: (301) 662-4700 FAX: (301) 662-4938	
		PRODUCT FEATURE SWN-2181-2 0.3-20 GHz, REFLECTIVE SPDT SWITCH MODULE	
APPROVALS	DATE	SIZE	SHEET 1 OF 2
DRAWN <i>WSP</i>	8/28/95	A	DWG. # 100-3728
CHECKED			

3-33A